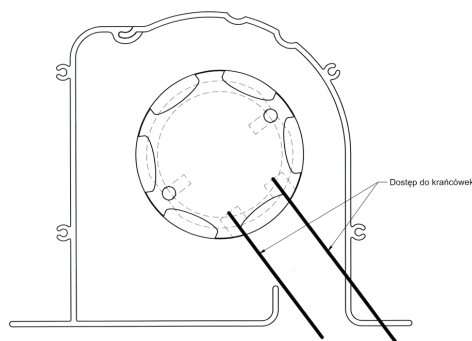
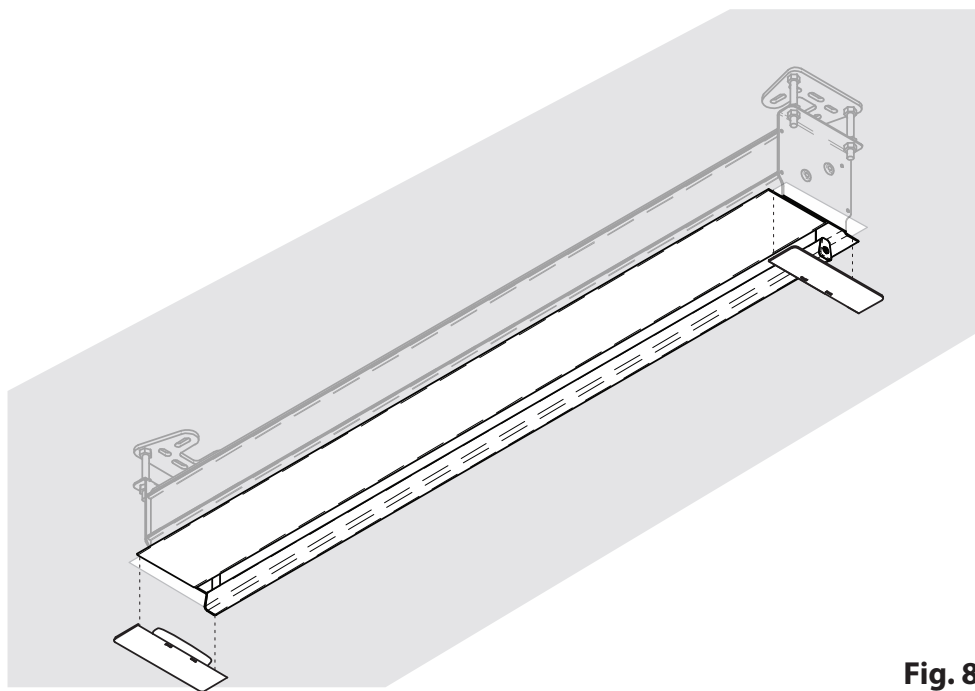


**10.** Put a projection fabric of the screen slightly to leave, and then remove the foam protection of the lower beam. If necessary, set the automatic stop by the regulation of limit switches with the supplied key (**Fig. 7**).

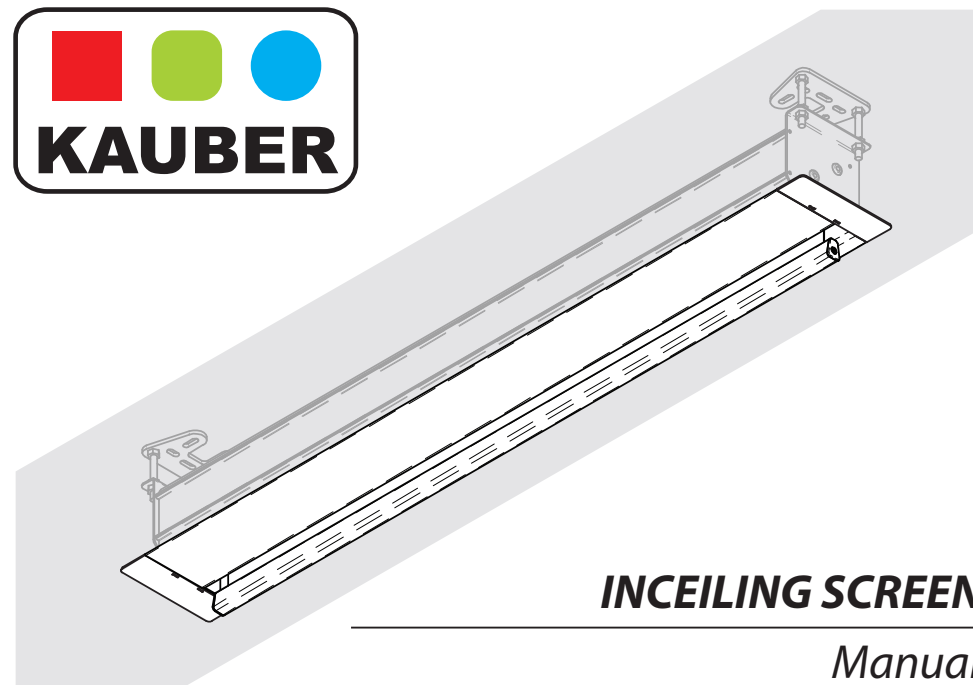
**11.** After a final check of the whole installation put on plugs on both sides of the screen (**Fig. 8**). In screens with tensioned system use an allen key to adjust the bolts tightening force on the sides of the lower beam.



**Fig. 7**



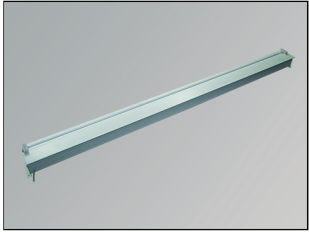
**Fig. 8**



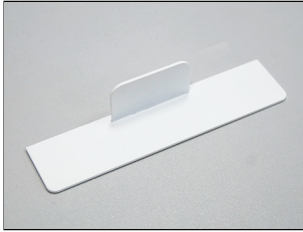
### INSTALLATION AND OPERATING

- One of the wooden blocks that protects the content of the carton is at the same time a mounting hole template. Do not throw it before the end of installation.
- Cassette and lower beam are protected from damage by a foam polyurethane. Remove the protective foam only in step 8, and a foam which protects a lower beam in step 11 of this manual.
- The screen should be installed in a location away from humidity and strong sunlight.
- To clean a projection surface use a soft cloth, using only the measures provided for cleaning Kauber screens. Protect your screen from getting into the water or other liquid to the inside. After cleaning, the screen must be carefully wiped, removing remaining moisture.

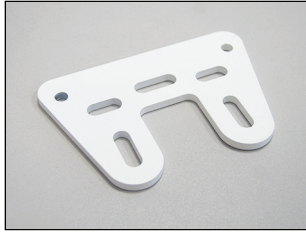
projection screen - 1 pcs.



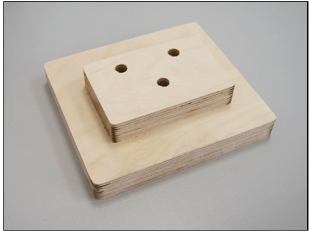
side grill (plug) - 2 pcs.



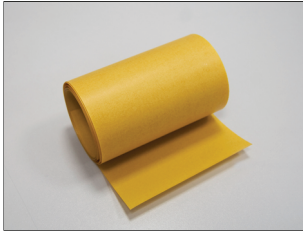
mounting base - 2 pcs.



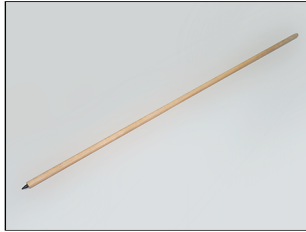
template holes - 1 pcs.



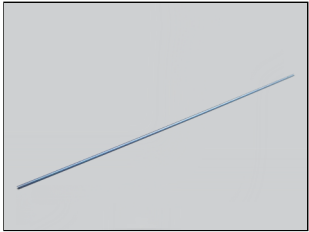
template of the main hole - 1 pcs.



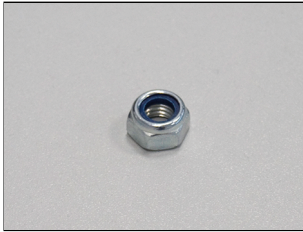
marker holes - 1 pcs.



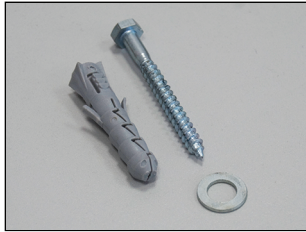
threaded rod - 4 pcs.



nut M8 - 12 pcs.



plugs ø10 - 6 pcs.



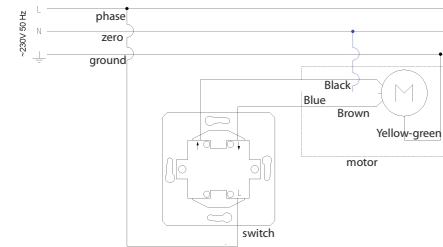
engine control key - 1 pcs.



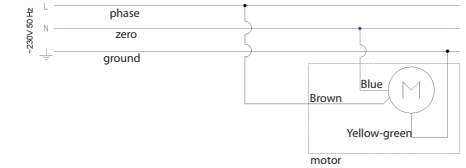
tubular key 6x14 (not included)



gloves - 2 p.

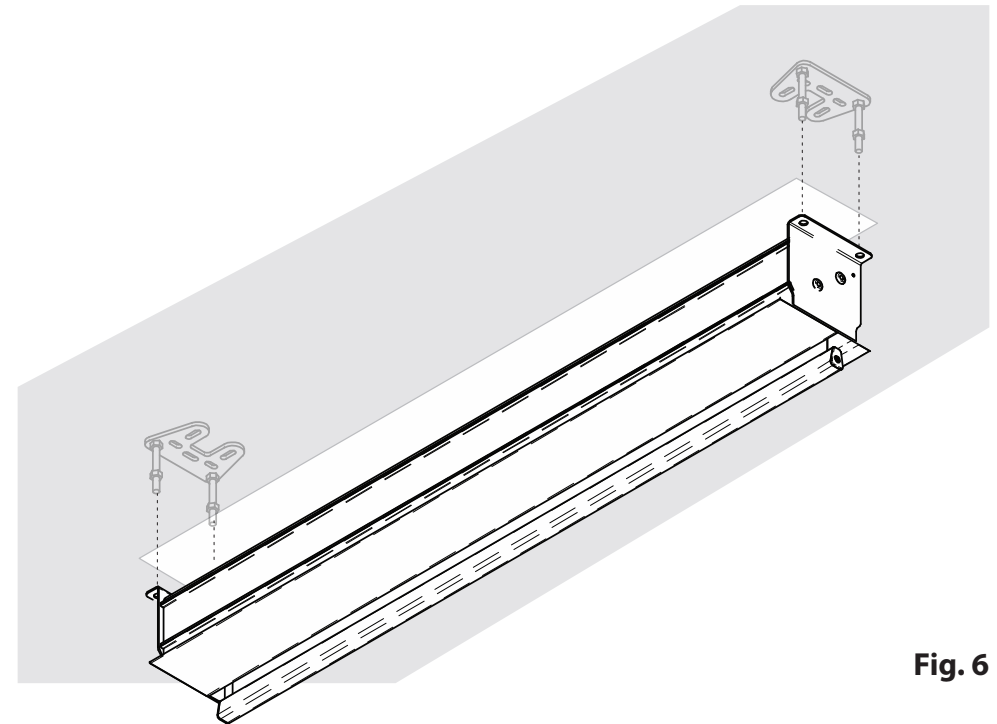


**Fig. 5A**



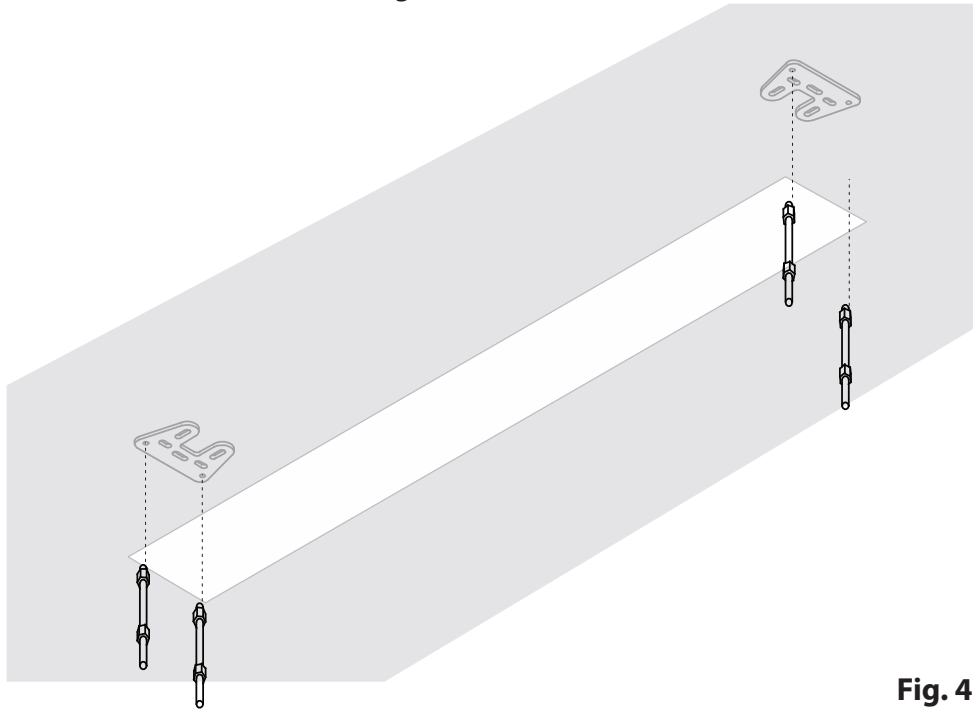
**Fig. 5B**

**10.** After connecting power supply and correct setting up the screen, insert a screen cassette on the mounted rods and mount using the wrench screw each of the 4 M8 nuts while verifying stability of the whole installation (**Fig. 6**).



**Fig. 6**

7. After cutting each of threaded rods screw into the appropriate hole in the mounting base, and then counter with **M8 (Fig. 4)**.



**Fig. 4**

8. For each of screw-mounted rod screw M8 in distant bones about 5 cm from the lower end of the bar, and then try on tape of the screen and if necessary to correct marry half the nuts, so that the mounting brackets when the screen was based on the nuts, and the lower edge of tape adhered to suspended ceiling.

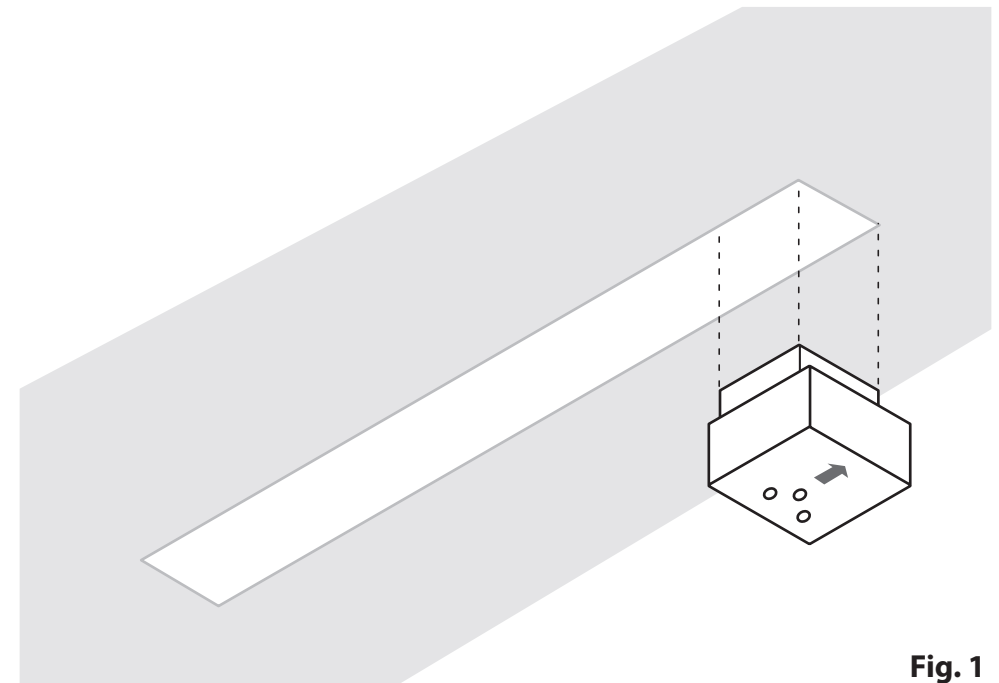
9. Before installing a screen cassette lead a power cable to the place of assembly and then connect it to the screen according to scheme A (**Fig. 5A**) or according to diagram B (**Fig. 5B**), if the wall switch is not installed.

**WARNING! Power connecting of the screen should be made by a specialist.**

1. Carefully extract the contents of the box, taking special attention to wooden blocks which secure the contents of cardboard from damage.

2. On site where the screen should be installed, stick foil template to the ceiling, and then outline them of headers with a pencil. After removing the foil, carefully cut the hole for the screen along stroke made on the basis of a template.

3. For each of the ends of the cut hole made a template to join rally holes assembly (one of the wooden block that protect the contents of the carton before damage), so that the arrow printed on it indicated on the outside of the hole (**Fig. 1**), disable it, and then use the included marker to mark drilling holes in a main ceiling, leading mark by holes in the wooden template (**Fig. 2**).



**Fig. 1**

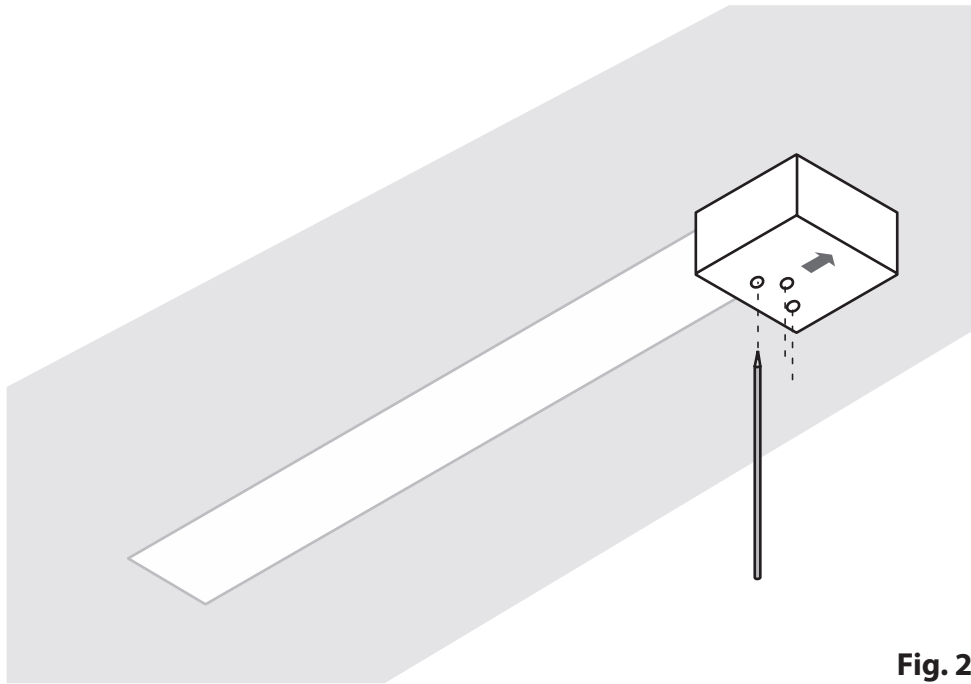


Fig. 2

4. Ø10 drill using drill holes into the marked places plugs. The holes should be drilled in the proper order, starting from the hole marked on the template number 1. After Correct drilling the hole 1. you have to go for drilling the second and third hole. Repeat that for opposite side. Correctness of drilling can be checked by comparing with the holes in the mounting.

**WARNING! In case of incorrect drilling of hole No. 1, you can use one of the spare holes on the basis of the position, located on both sides of the first drilling reserve a place please apply by hand then using this to base mounting.**

5. For in main ceiling drilled holes screw the mounting base using the bottom end coupled dowels and screws (**Fig. 3**). **WARNING!** Wheel mounting delivered in a set can be applied to ceilings which are made of full material (eg, concrete, Suporex). When installing the screen to other than mentioned materials, an installer should find appropriate wheel mounting.

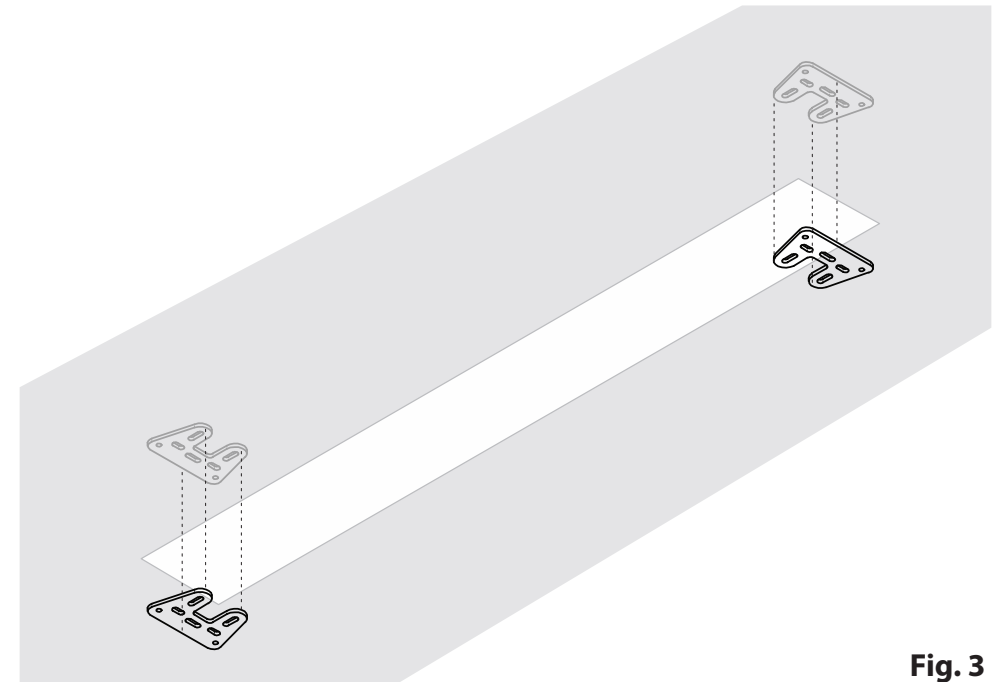


Fig. 3

6. Use the following formula to calculate the length of the rod.

$$\text{rod length} = \text{distance between the right ceiling and the lower edge of the suspended ceiling} - 7 \text{ cm}$$